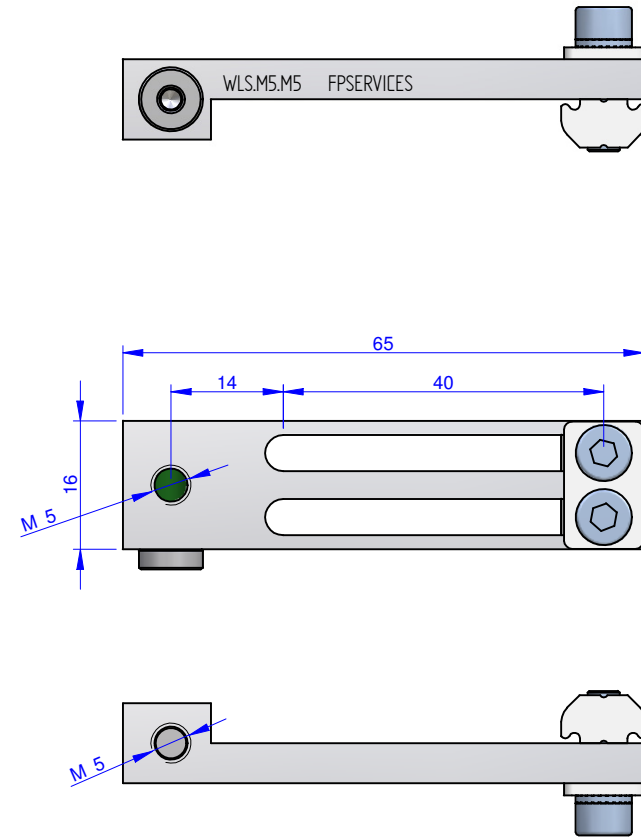
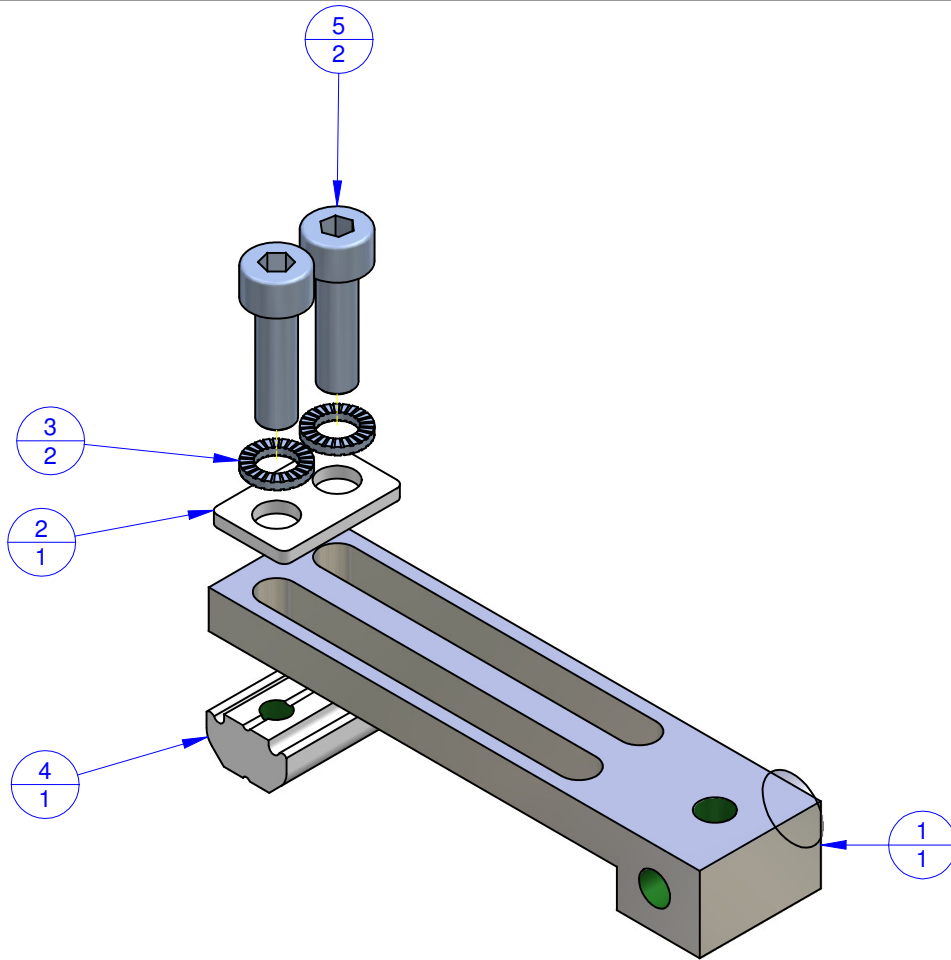


THE PROPERTY OF THIS DRAWING IS ESTABLISHED BY LAW
IT IS FORBIDDEN TO REPRODUCE IT OR SHOW IT TO THIRD PARTY
WITHOUT A WRITTEN AGREEMENT.



MODIFICATIONS:

7	10
8	11
9	12

VARIED DIMENSIONS AS OF DATE:

MODIFICATIONS:

1	4
2	5
3	6

VARIED DIMENSIONS AS OF DATE:

Format **A3**
UNI 936-76

Object Number	Name	QTY
1	CA.WLS.M5.M5	1
2	R.04.08	1
3	R.4.SCH	2
4	CA.GWP.4.8	1
5	V.TCE4X14	2

FP Services <small>GENERAL TOLERANCE: UNI - ISO 2768 CLASSE f</small>		DESIGNED FROM FPSERVICES
		<table border="1"> <tr> <td>DATE 12/2014</td> <td>WEIGHT 0,024 kg</td> </tr> </table>
DATE 12/2014	WEIGHT 0,024 kg	
<small>CODE</small> CA.WLS.M5.M5.X		

