

THE PROPERTY OF THIS DRAWING IS ESTABLISHED BY LAW
IT IS FORBIDDEN TO REPRODUCE IT OR SHOW IT TO THIRD PARTY
WITHOUT A WRITTEN AGREEMENT.

MODIFICATIONS:

7	10
8	11
9	12

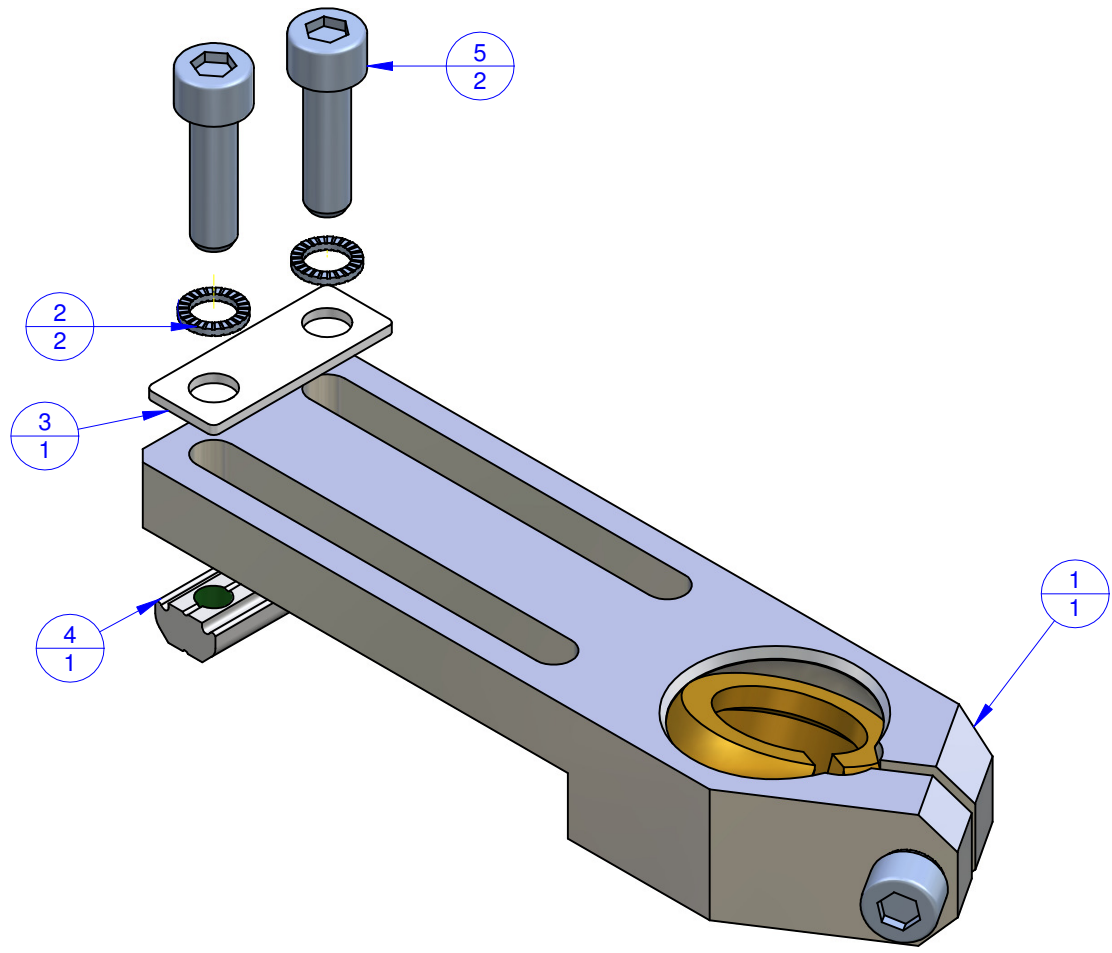
VARIED DIMENSIONS AS OF DATE:

MODIFICATIONS:

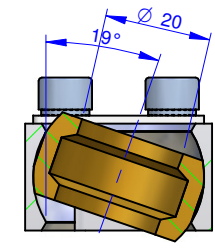
1	4
2	5
3	6

VARIED DIMENSIONS AS OF DATE:

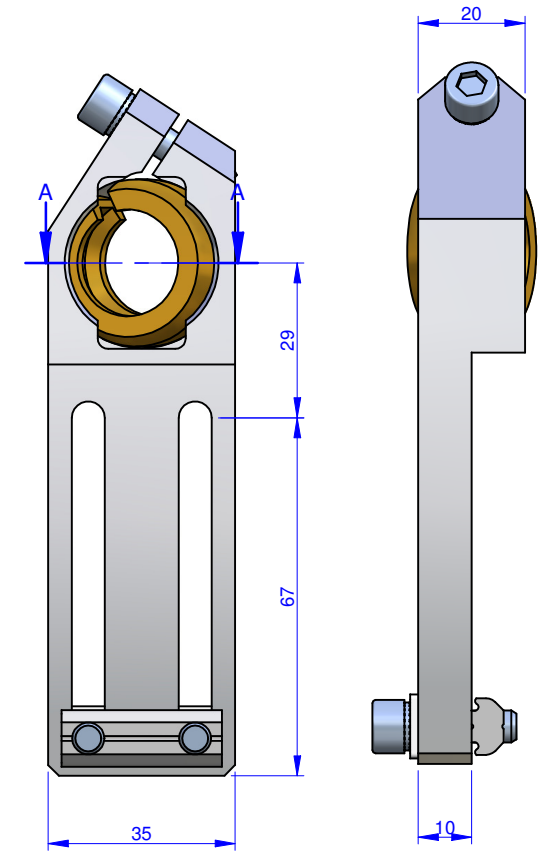
Format **A3**
UNI 936-76



Object Number	Name	QTY
1	CA.WSL.2060.G	1
2	R.6.SCH	2
3	R.06.20	1
4	CA.GWP.6.20	1
5	V.TCE6X22	2



SEZIONE A-A



FP Services		DESIGNED FROM FPSERVICES	
GENERAL TOLERANCE: UNI - ISO 2768 CLASSE f		DATE 07/2014	WEIGHT 0,168 kg
DESCRIPTION		CODE CA.WSL.2060.G.X	

