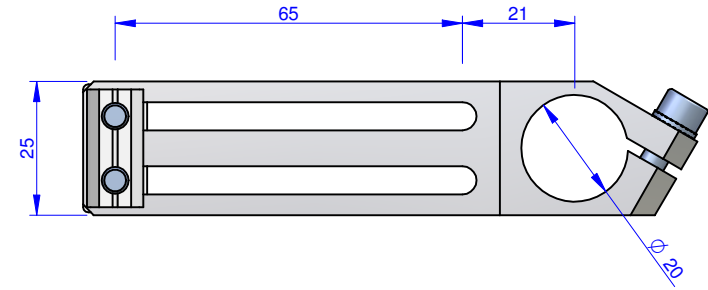
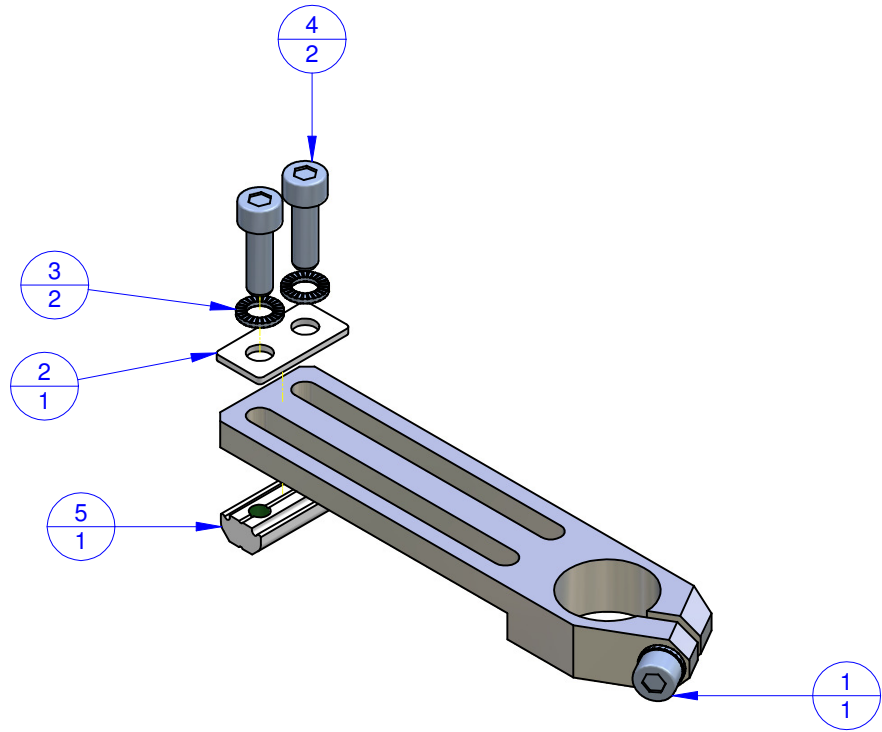


THE PROPERTY OF THIS DRAWING IS ESTABLISHED BY LAW
IT IS FORBIDDEN TO REPRODUCE IT OR SHOW IT TO THIRD PARTY
WITHOUT A WRITTEN AGREEMENT.



Object Number	Name	QTY
1	CA.WSL.2060.U	1
2	R.05.12	1
3	R.5.SCH	2
4	V.TCE5X16	2
5	CA.GWP.5.12	1

MODIFICATIONS:

7	10
8	11
9	12

VARIED DIMENSIONS AS OF DATE:

MODIFICATIONS:

1	4
2	5
3	6

VARIED DIMENSIONS AS OF DATE:

Format **A3**
UNI 936-76

		DESIGNED FROM FPSERVICES	
		DATE 05/2013	WEIGHT 0,058 kg
GENERAL TOLERANCE: UNI - ISO 2768 CLASSE f		DESCRIPTION CA.WSL.2060.U.X	

