

THE PROPERTY OF THE DRAWING IS ESTABLISHED BY LAW
IT IS FORBIDDEN TO PRODUCE OR SHOW IT TO THIRD PART
WITHOUT A WRITTEN AGREEMENT.

MODIFICATIONS

7	10
8	11
9	12

VARIED DIMENSIONS AS OF DATE

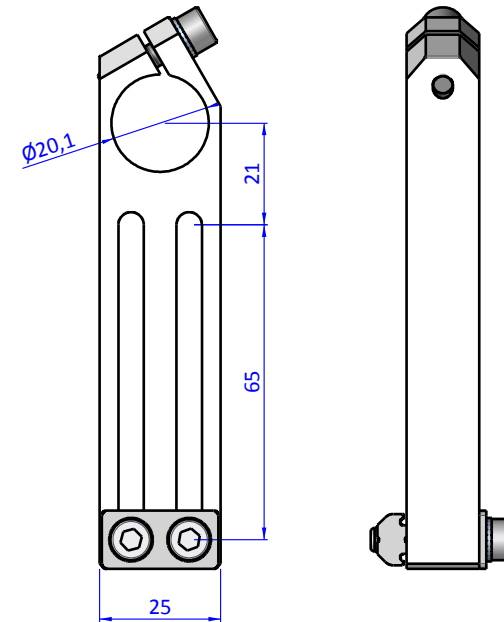
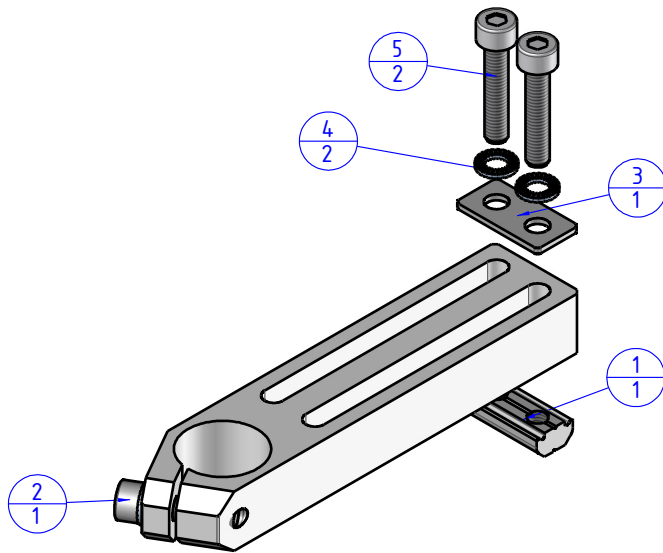
MODIFICATIONS

1	4
2	5
3	6

VARIED DIMENSIONS AS OF DATE

Format A3
UNI 936-76

Object Number	Name	QTY
1	CA.GWP.5.12	1
2	CA.WSL.2060.VU	1
3	R.05.12	1
4	R.5.SCH	2
5	V.TCE5x25	2



FP SERVICES AUTOMATION		DESIGNED FROM FP SERVICES	
GENERAL TOLERANCE UNI - ISO 2768 CLASSE f		DATE 30/08/2017	WEIGHT 0,093kg
DESCRIPTION CA.WSL.2060.VU.X		CODE CA.WSL.2060.VU.X	