

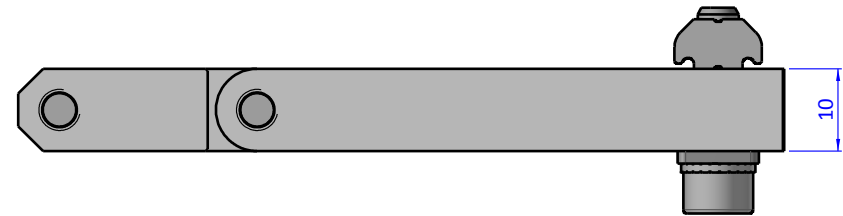
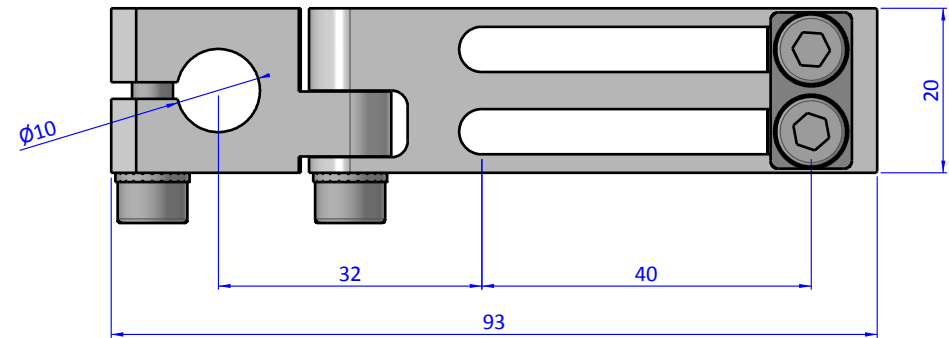
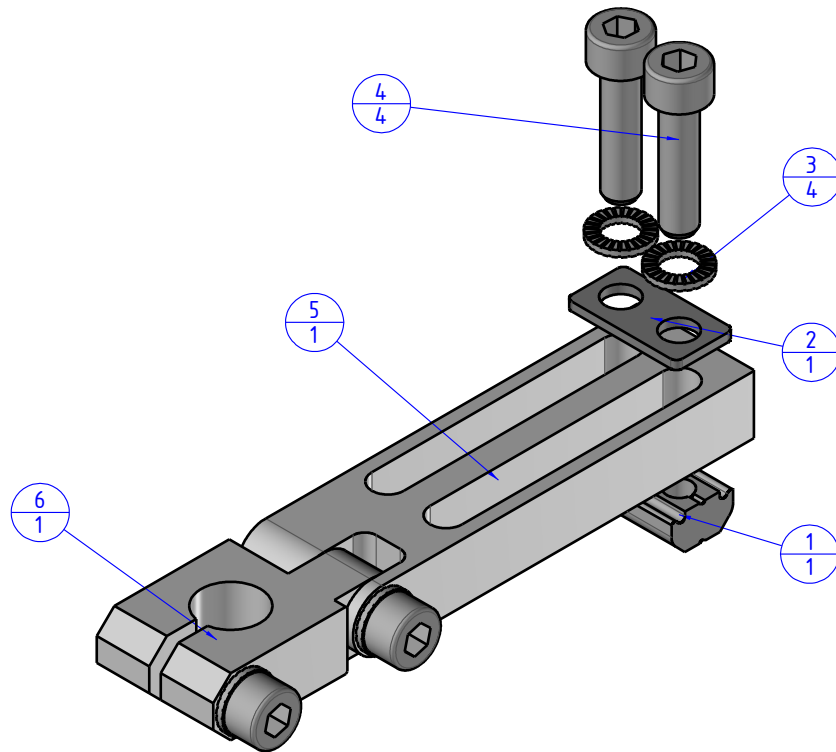
THE PROPERTY OF THE DRAWING IS ESTABLISHED BY LAW  
IT IS FORBIDDEN TO PRODUCE OR SHOW IT TO THIRD PART  
WITHOUT A WRITTEN AGREEMENT.

MODIFICATIONS	VARIED DIMENSIONS AS OF DATE
7	10
8	11
9	12

MODIFICATIONS	VARIED DIMENSIONS AS OF DATE
1	4
2	5
3	6

Format A3  
UNI 936-76

Item	Name	Qty.
1	CA.GWP.5.10	1
2	R.05.10	1
3	R.5.SCH	4
4	V-tcei M 5 x 20	4
5	WSL.GA.10.1.SL	1
6	WSL.GA.10.2	1



		DESIGNED FROM FPSERVICES	
		DATE 06/06/2017	WEIGHT 0,060kg
GENERAL TOLERANCE UNI - ISO 2768 CLASSE f	DESCRIPTION CA.WSL.GA.10.X	CODE CA.WSL.GA.10.X	