

THE PROPERTY OF THIS DRAWING IS ESTABLISHED BY LAW
IT IS FORBIDDEN TO REPRODUCE IT OR SHOW IT TO THIRD PARTY
WITHOUT A WRITTEN AGREEMENT.

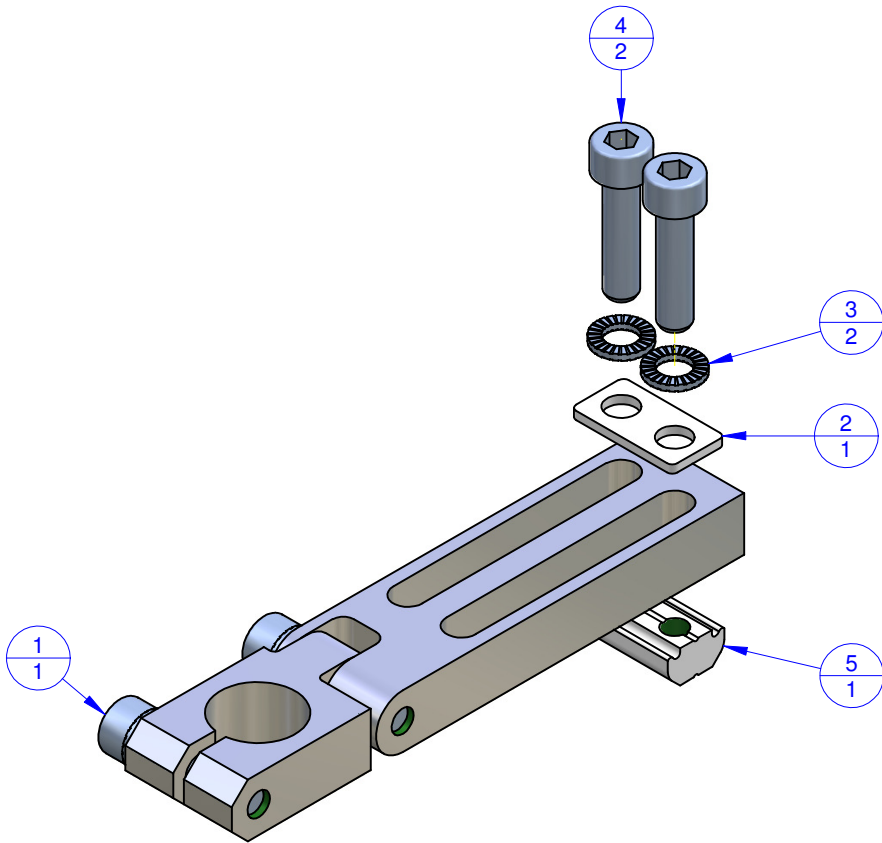
MODIFICATIONS: VARIED DIMENSIONS AS OF DATE:

7	10
8	11
9	12

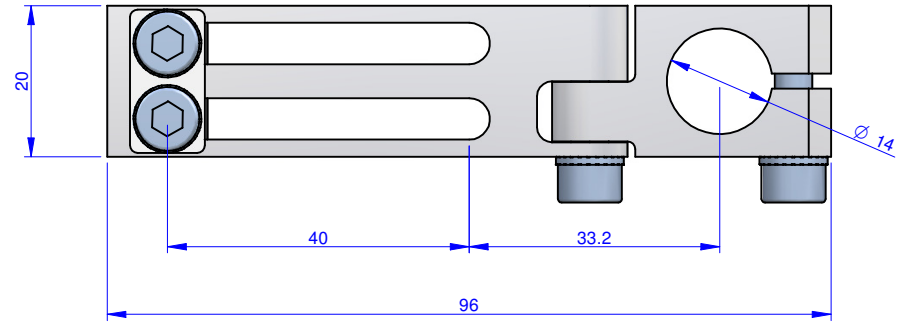
MODIFICATIONS: VARIED DIMENSIONS AS OF DATE:

4	5	6
5	6	7

Format **A3**
UNI 936-76



Object Number	Name	QTY
1	CA.WSL.GA.14	1
2	R.05.10	1
3	R.5.SCH	2
4	V.TCE5X20	2
5	CA.GWP.5.10	1



FP Services GENERAL TOLERANCE: UNI - ISO 2768 CLASSE f	DESCRIPTION	DESIGNED FROM FPSERVICES
		DATE 03/2015
		CODE CA.WSL.GA.14.X