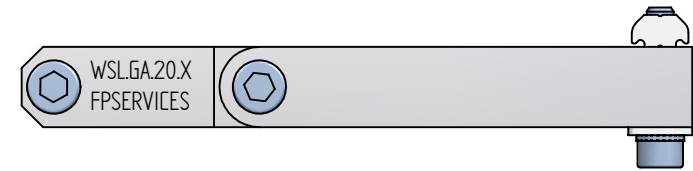
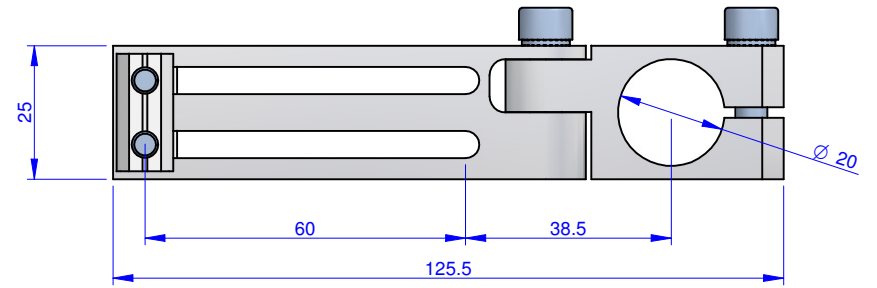
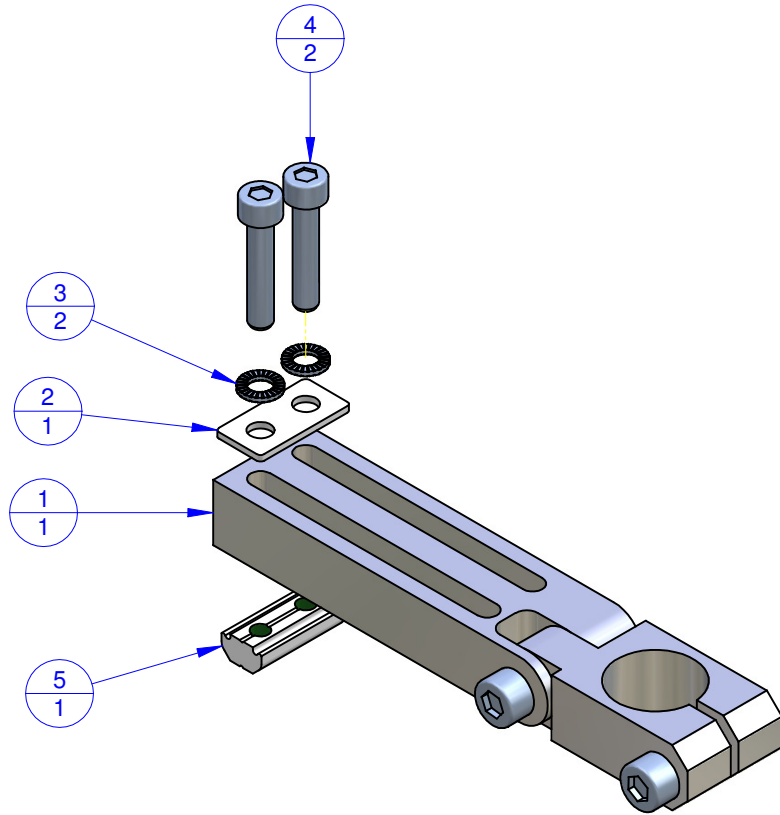


THE PROPERTY OF THIS DRAWING IS ESTABLISHED BY LAW  
IT IS FORBIDDEN TO REPRODUCE IT OR SHOW IT TO THIRD PARTY  
WITHOUT A WRITTEN AGREEMENT.



MODIFICATIONS: VARIED DIMENSIONS AS OF DATE:

7	10
8	11
9	12

MODIFICATIONS: VARIED DIMENSIONS AS OF DATE:

1	4
2	5
3	6

Format **A3**  
UNI 936-76

Object Number	Component Code	QTY
1	CA.WSL.GA.20	1
2	R.05.12	1
3	R.5.SCH	2
4	VTCE5X25	2
5	CA.GWP.5.12	1

<b>FP Services</b> <small>GENERAL TOLERANCE: UNI - ISO 2768 CLASSE f</small>	<small>DESCRIPTION</small>	<small>DESIGNED FROM</small> FPSERVICES
		<small>DATE</small> 06/2013
<small>CODE</small> <b>CA.WSL.GA.20.X</b>		