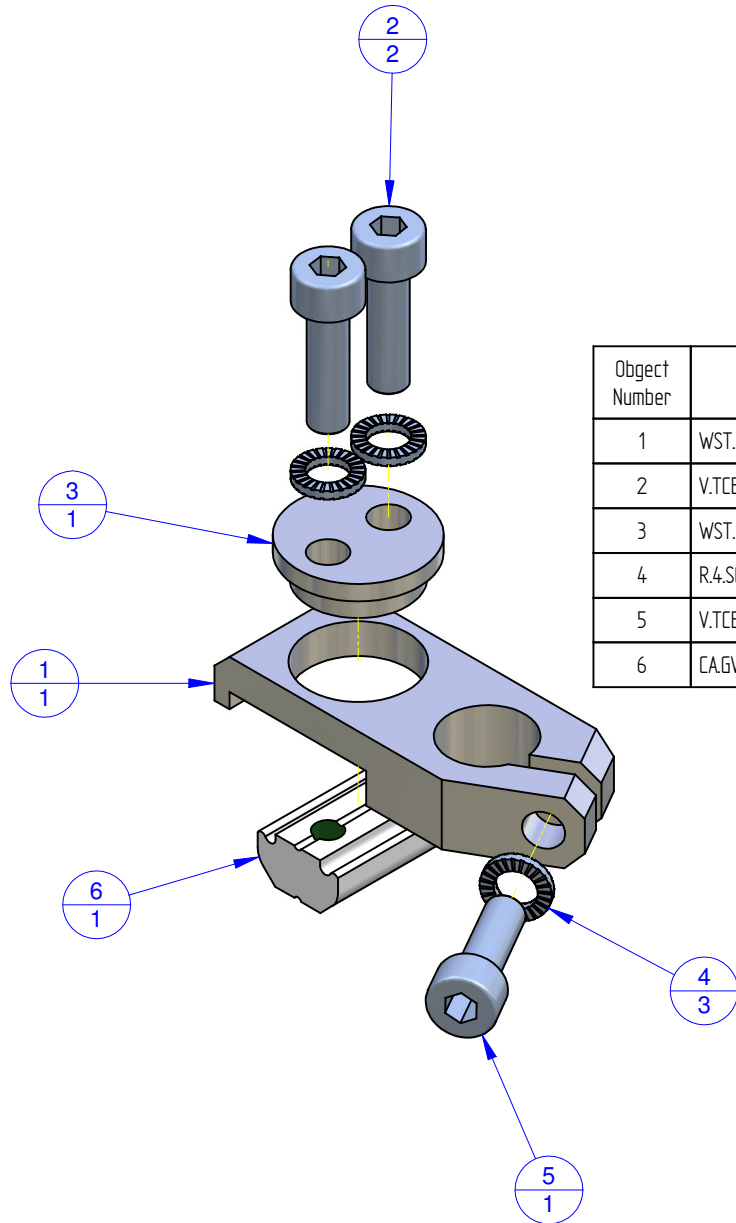
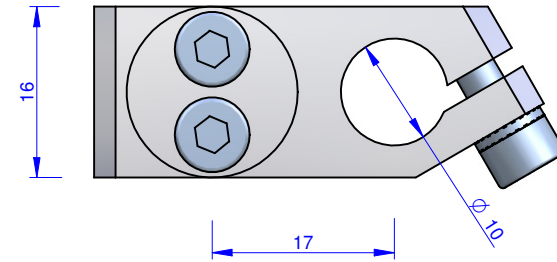
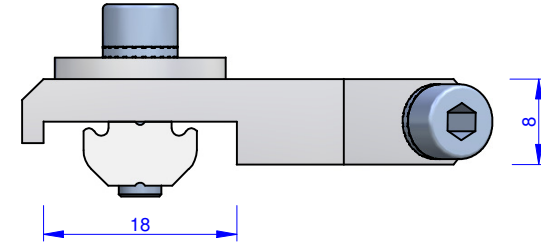


THE PROPERTY OF THIS DRAWING IS ESTABLISHED BY LAW  
IT IS FORBIDDEN TO REPRODUCE IT OR SHOW IT TO THIRD PARTY  
WITHOUT A WRITTEN AGREEMENT.



Object Number	Name	QTY
1	WST.10.L	1
2	V.TCE4X14	2
3	WST.10.1	1
4	R.4.SCH	3
5	V.TCE4X12	1
6	CA.GWP.4.8	1



MODIFICATIONS: VARIED DIMENSIONS AS OF DATE:  
 10  
11  
12  
 7  
8  
9

MODIFICATIONS: VARIED DIMENSIONS AS OF DATE:  
 4  
5  
6  
 1  
2  
3

Format A3  
 UNI 936-76

<b>FP Services</b>		DESIGNED FROM FP SERVICES	
GENERAL TOLERANCE: UNI - ISO 2768 CLASSE f		SCALE 1:1	DATE 11/2013
MATERIALE		MODIFICATION	WEIGHT 0,020 kg
DESCRIPTION		CODE <b>CA.WST.10.L</b>	

