

THE PROPERTY OF THIS DRAWING IS ESTABLISHED BY LAW
IT IS FORBIDDEN TO REPRODUCE IT OR SHOW IT TO THIRD PARTY
WITHOUT A WRITTEN AGREEMENT.

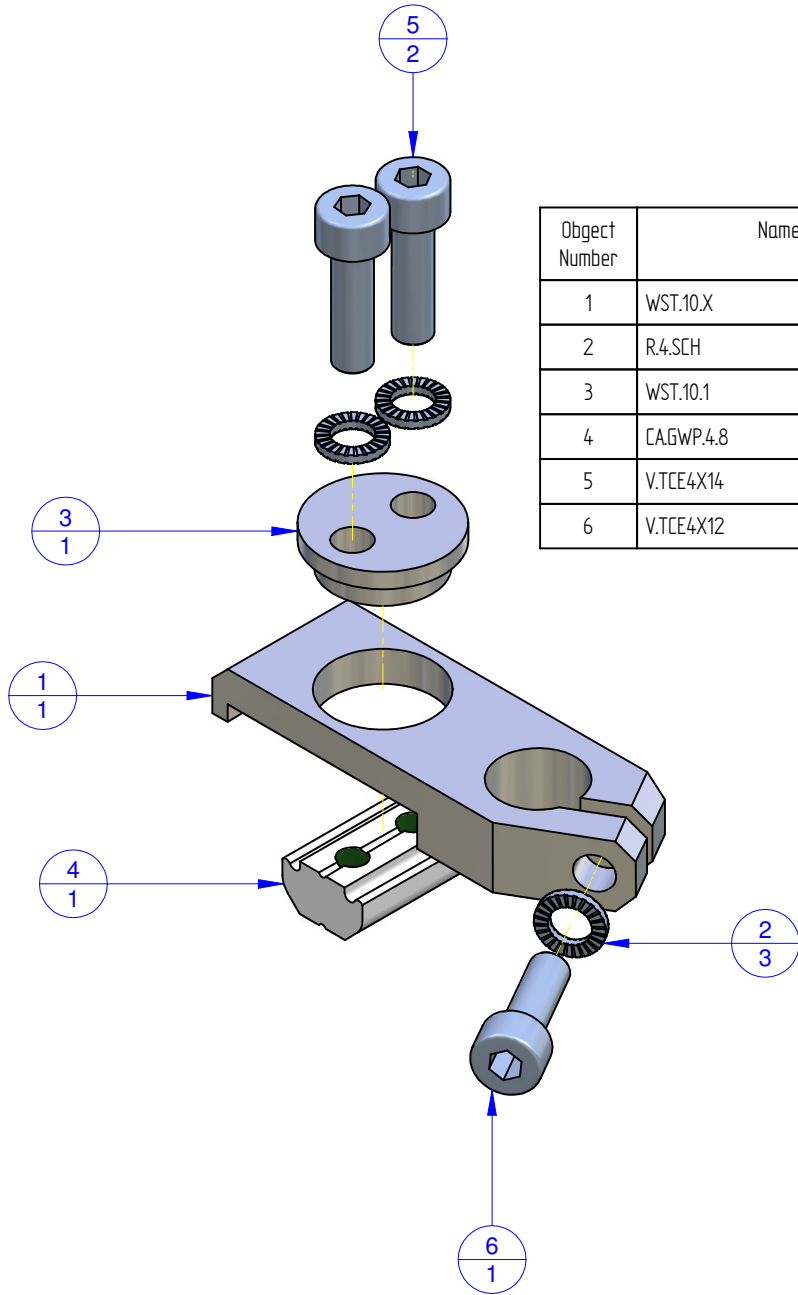
MODIFICATIONS: VARIED DIMENSIONS AS OF DATE:

7	10
8	11
9	12

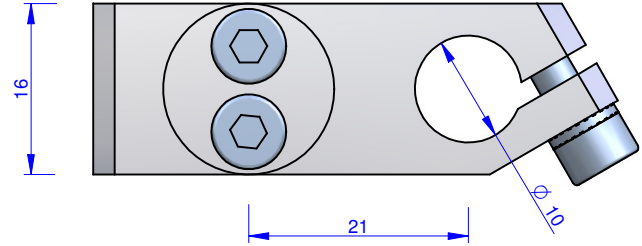
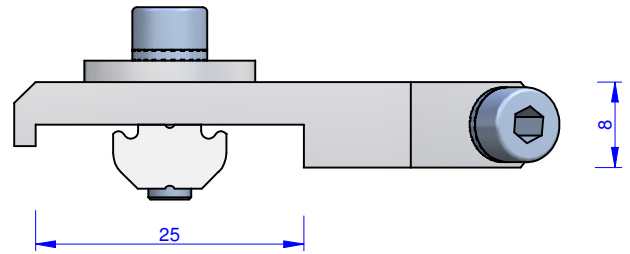
MODIFICATIONS: VARIED DIMENSIONS AS OF DATE:

1	4
2	5
3	6

Format **A3**
UNI 936-76



Object Number	Name	QTY
1	WST.10.X	1
2	R.4.SCH	3
3	WST.10.1	1
4	CAGWP.4.8	1
5	V.TCE4X14	2
6	V.TCE4X12	1



FP Services		DESIGNED FROM FPSERVICES	
GENERAL TOLERANCE: UNI - ISO 2768 CLASSE f		DATE 10/2013	WEIGHT 0,020 kg
		CODE CA.WST.10.X	

