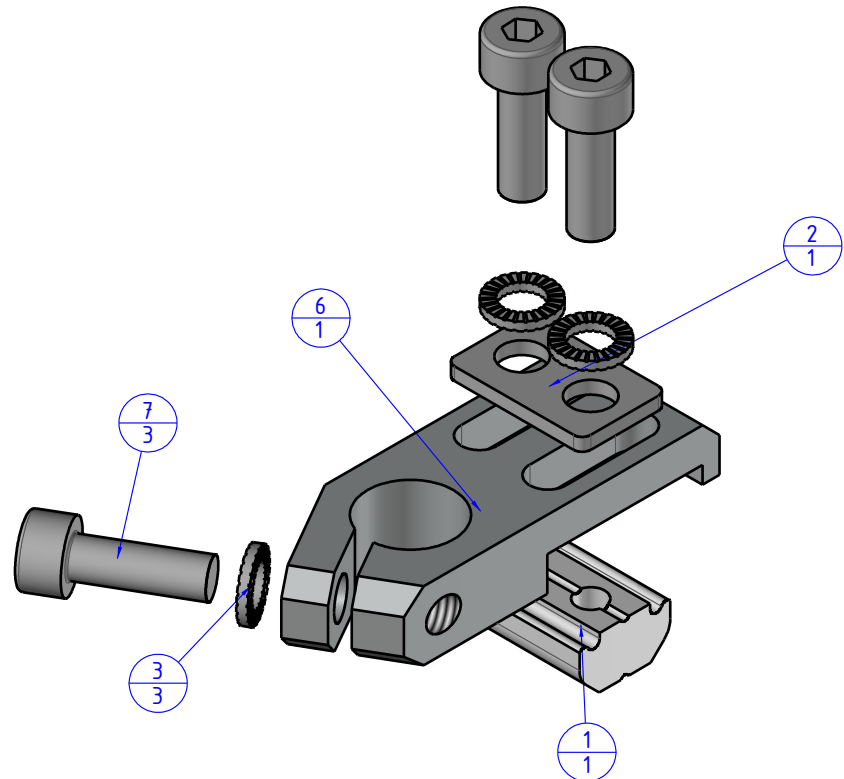


THE PROPERTY OF THE DRAWING IS ESTABLISHED BY LAW  
IT IS FORBIDDEN TO PRODUCE OR SHOW IT TO THIRD PART  
WITHOUT A WRITTEN AGREEMENT.

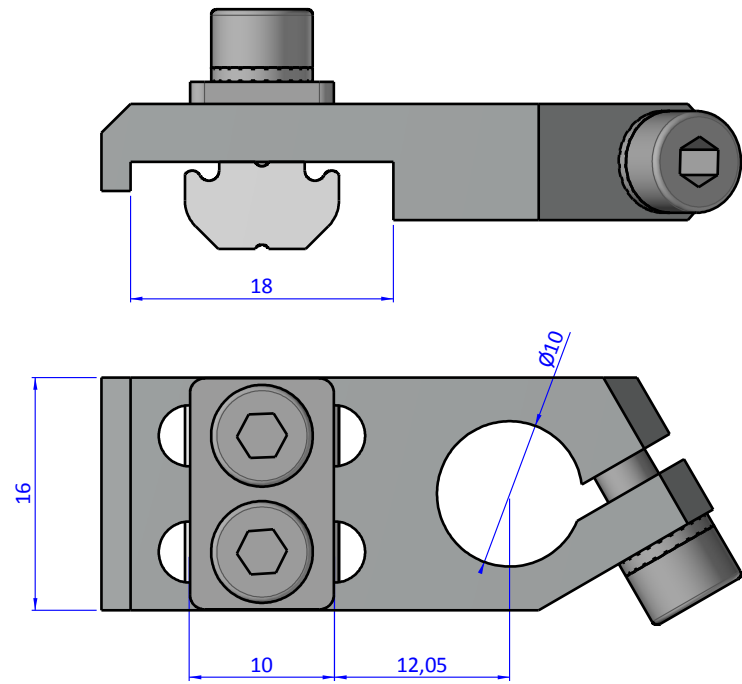
MODIFICAZIONI	VARIEDI NUMERICI AS OF DATE		
7	10	11	12
8			
9			

MODIFICAZIONI	VARIEDI NUMERICI AS OF DATE		
1	4	5	6
2			
3			

Format A3  
UNI 936-76



Object Number	Name	QTY
1	CA.GWP.4.8	1
2	R.04.08	1
3	R.4.SCH	3
6	WST.1010	1
7	V-tcei M 4 x 12	3



		DESIGNED FROM FPSERVICES	
		DATE 06/04/2017	WEIGHT 0,014kg
GENERAL TOLERANCE UNI - ISO 2768 CLASSE f	DESCRIPTION	CODE CA.WST.1010.L	