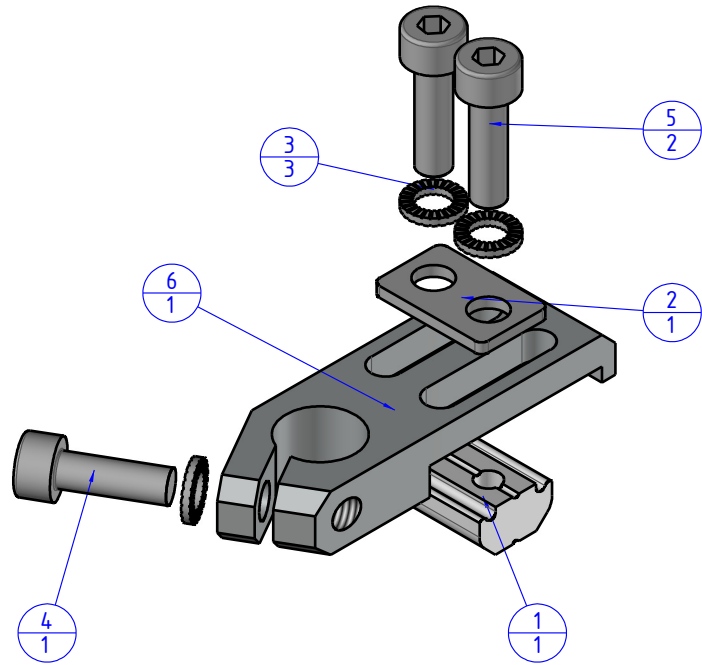


THE PROPERTY OF THE DRAWING IS ESTABLISHED BY LAW
IT IS FORBIDDEN TO PRODUCE OR SHOW IT TO THIRD PART
WITHOUT A WRITTEN AGREEMENT.

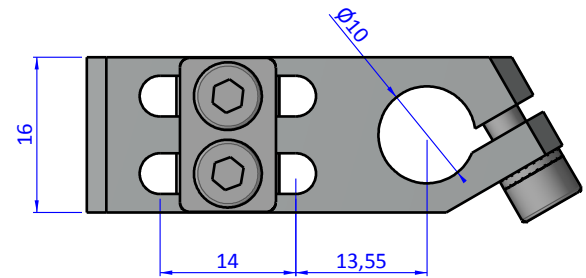
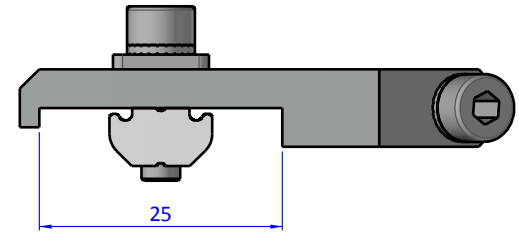
MODIFICATIONS	VARIED DIMENSIONS AS OF DATE:		
7		10	
8		11	
9		12	

MODIFICATIONS	VARIED DIMENSIONS AS OF DATE:		
1		4	
2		5	
3		6	

Format A3
UNI 936-76



Object Number	Name	QTY
1	CA.GWP.4.8	1
2	R.04.08	1
3	R.4.SCH	3
4	V-tcei M 4 x 12	1
5	V-tcei M 4 x 14	2
6	WST.1014	1



		DESIGNED FROM FPSERVICES	
		DATE 06/04/2017	WEIGHT 0,015kg
GENERAL TOLERANCE UNI - ISO 2768 CLASSE f	DESCRIPTION	CODE CA.WST.1014.X	