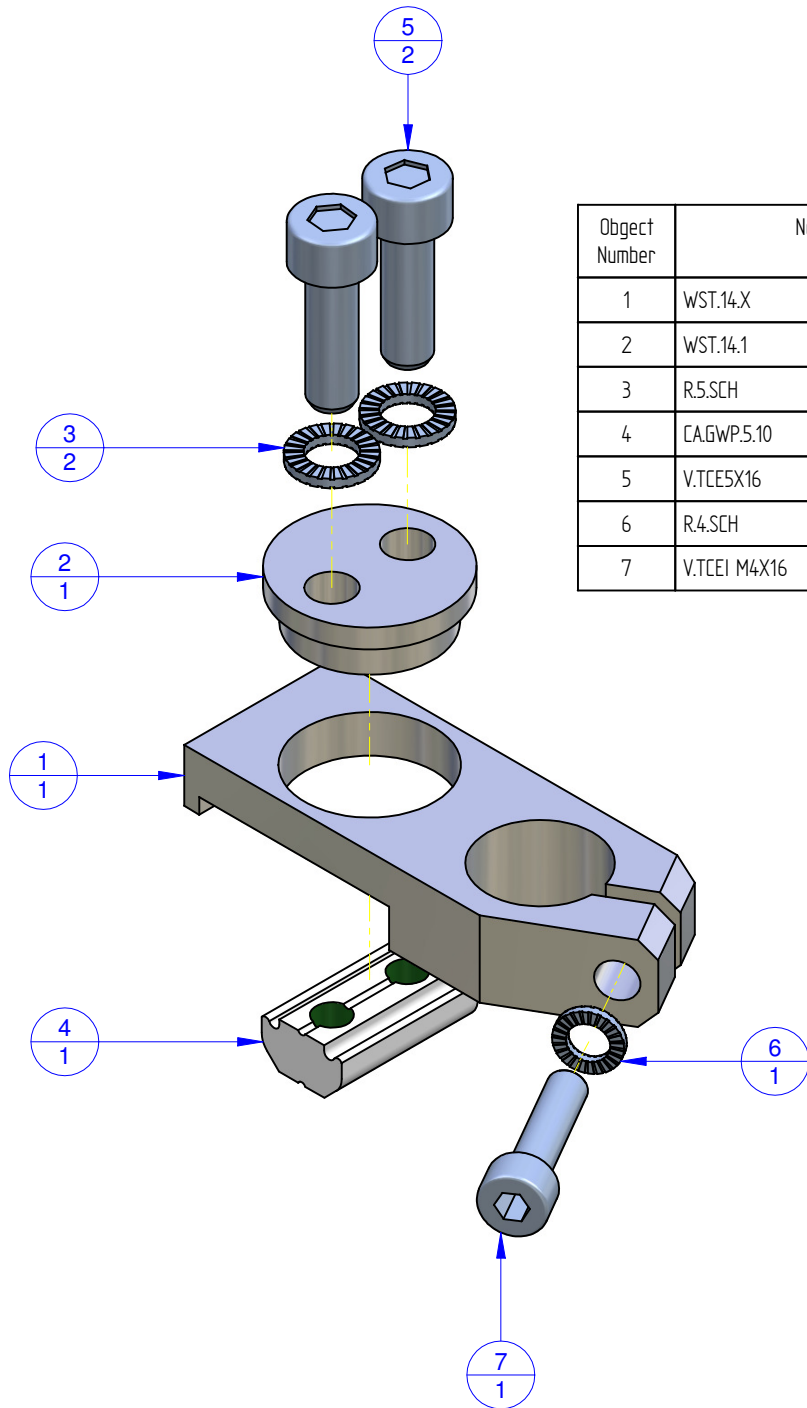


THE PROPERTY OF THIS DRAWING IS ESTABLISHED BY LAW
IT IS FORBIDDEN TO REPRODUCE IT OR SHOW IT TO THIRD PARTY
WITHOUT A WRITTEN AGREEMENT.

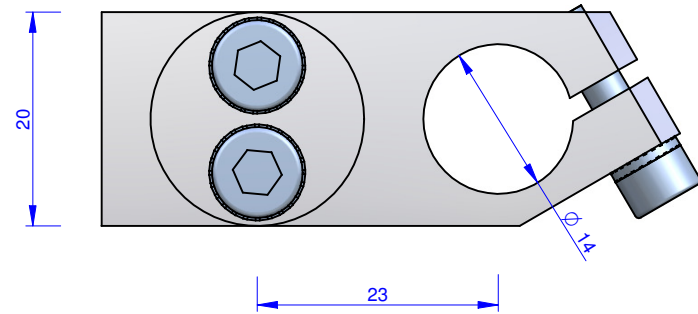
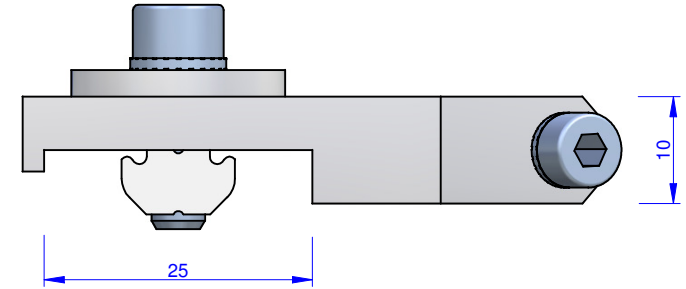
MODIFICATIONS: VARIED DIMENSIONS AS OF DATE:
 7. _____ 10. _____
 8. _____ 11. _____
 9. _____ 12. _____

MODIFICATIONS: VARIED DIMENSIONS AS OF DATE:
 1. _____ 4. _____
 2. _____ 5. _____
 3. _____ 6. _____

Format **A3**
 UNI 936-76



Object Number	Name	QTY
1	WST.14.X	1
2	WST.14.1	1
3	R.5.SCH	2
4	CA.GWP.5.10	1
5	V.TCEE5X16	2
6	R.4.SCH	1
7	V.TCEI M4X16	1



FP Services		DESIGNED FROM FP SERVICES	
		SCALE 1:1	DATE 10/2013
GENERAL TOLERANCE: UNI - ISO 2768 CLASSE f	MATERIALE	MODIFICATION	WEIGHT 0,031 kg
DESCRIPTION		CODE CA.WST.14.X	

