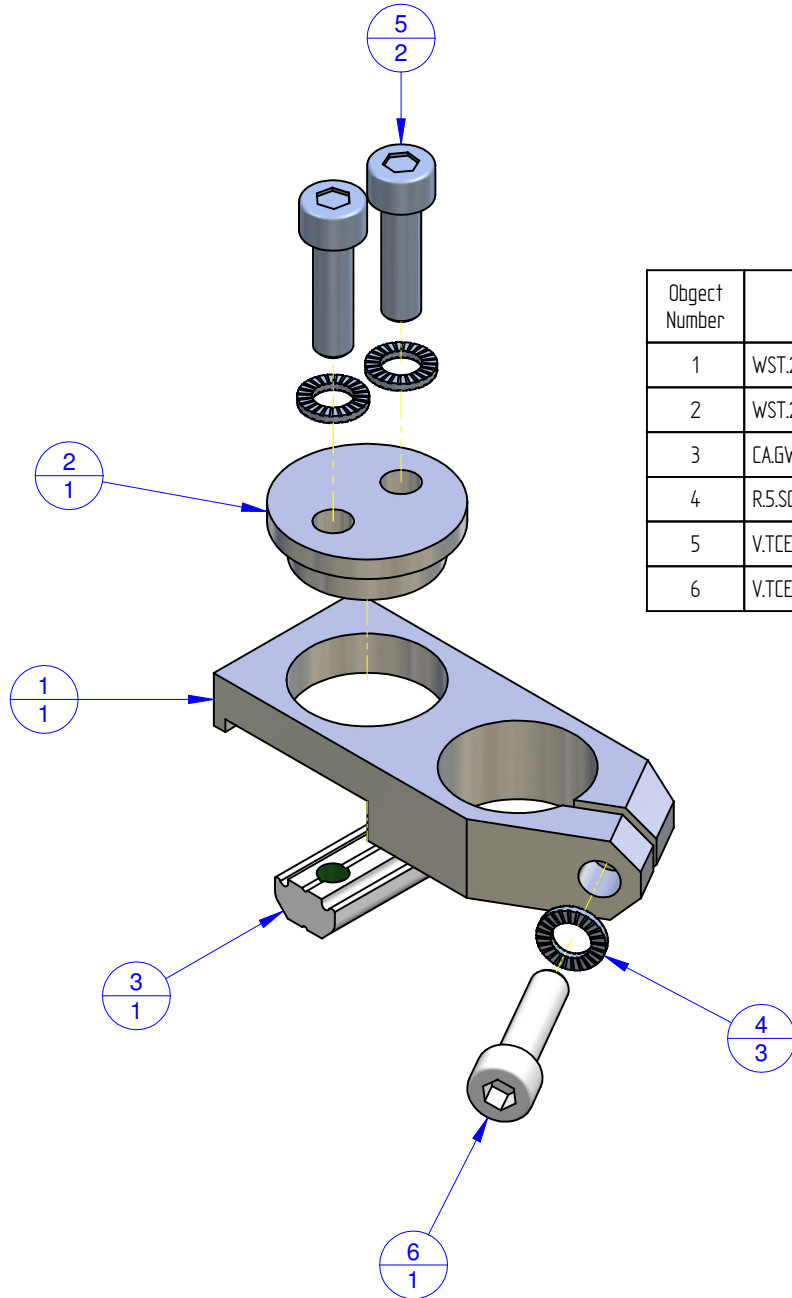


THE PROPERTY OF THIS DRAWING IS ESTABLISHED BY LAW  
IT IS FORBIDDEN TO REPRODUCE IT OR SHOW IT TO THIRD PARTY  
WITHOUT A WRITTEN AGREEMENT.

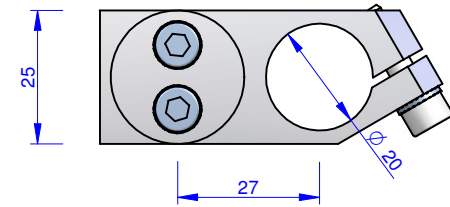
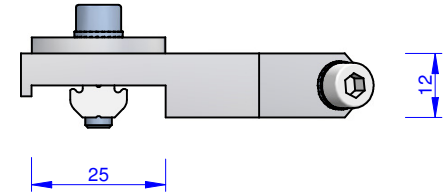
MODIFICATIONS: \_\_\_\_\_  
 \_\_\_\_\_  
 \_\_\_\_\_  
 \_\_\_\_\_  
 (7) (8) (9) (10) (11) (12)

MODIFICATIONS: \_\_\_\_\_  
 \_\_\_\_\_  
 \_\_\_\_\_  
 \_\_\_\_\_  
 (1) (2) (3) (4) (5) (6)

Format **A3**  
 UNI 936-76



Object Number	Name	QTY
1	WST.20.X	1
2	WST.20.1	1
3	CAGWP.5.12	1
4	R5.SCH	3
5	V.TCEI M5X18	2
6	V.TCE5X20	1



<b>FP Services</b>			DESIGNED FROM	
			FPSERVICES	
GENERAL TOLERANCE: UNI - ISO 2768 CLASSE f		DATE		WEIGHT
		10/2013		0,050 kg
DESCRIPTION		CODE		
		<b>CA.WST.20.X</b>		

