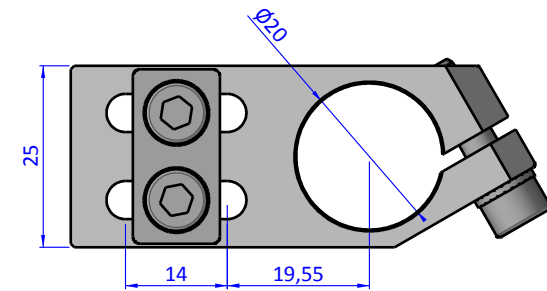
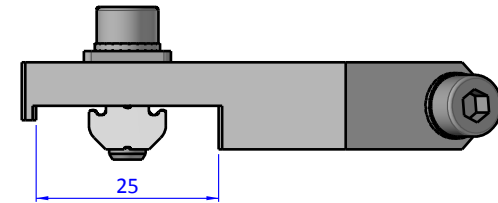
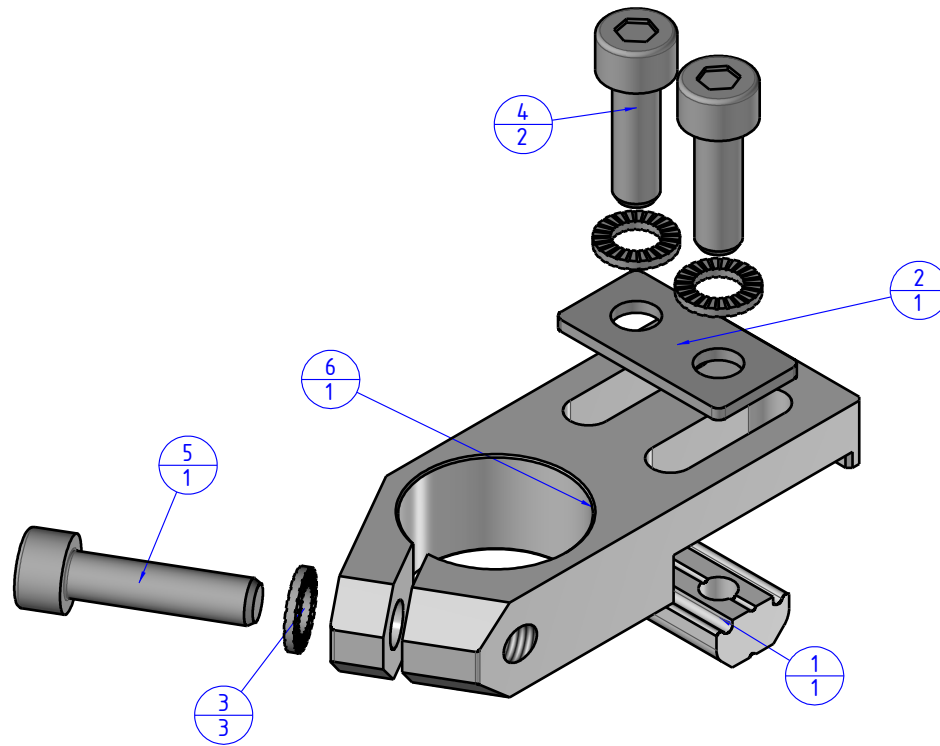


THE PROPERTY OF THE DRAWING IS ESTABLISHED BY LAW
IT IS FORBIDDEN TO PRODUCE OR SHOW IT TO THIRD PART
WITHOUT A WRITTEN AGREEMENT.

MODIFICAZIONI	VARIED. DIMENSIONI AS OF DATE	10	11	12
7				
8				
9				

MODIFICAZIONI	VARIED. DIMENSIONI AS OF DATE	4	5	6
1				
2				
3				

Format A3
UNI 936-76



Object Number	Name	QTY
1	CA.GWP.5.12	1
2	R.05.12	1
3	R.5.SCH	3
4	V-tcei M 5 x 16	2
5	V-tcei M 5 x 20	1
6	WST.2014	1

		DESIGNED FROM	
		FPSERVICES	
		DATE	WEIGHT
		06/04/2017	0,038kg
GENERAL TOLERANCE UNI - ISO 2768 CLASSE f		CODE CA.WST.2014.X	