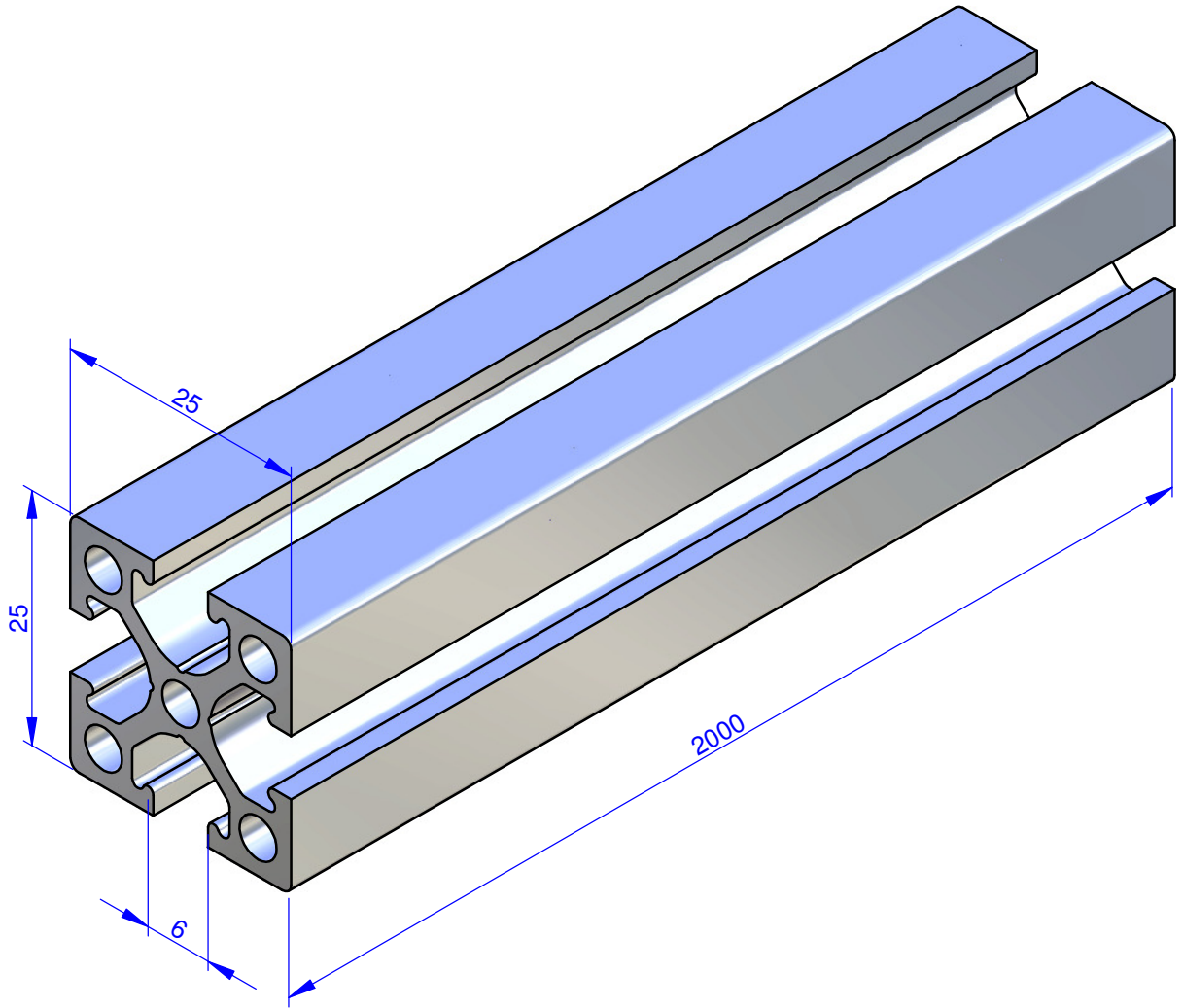


THE PROPERTY OF THIS DRAWING IS ESTABLISHED BY LAW  
IT IS FORBIDDEN TO REPRODUCE IT OR SHOW IT TO THIRD PARTY  
WITHOUT A WRITTEN AGREEMENT.



MODIFICATIONS:	VARIED DIMENSIONS AS OF DATE:
7.	10.
8.	11.
9.	12.

MODIFICATIONS:	VARIED DIMENSIONS AS OF DATE:
1.	4.
2.	5.
3.	6.

**FP** Services



DESIGNED FROM  
FPSERVICES

DATE	12/2013	WEIGHT	1,366 kg
------	---------	--------	----------

CODE  
**CA.X.2525.2000**

Format **A4**  
UNI 936-76

GENERAL TOLERANCE:  
UNI - ISO 2768  
CLASSE f

DESCRIPTION

