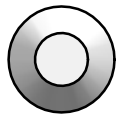
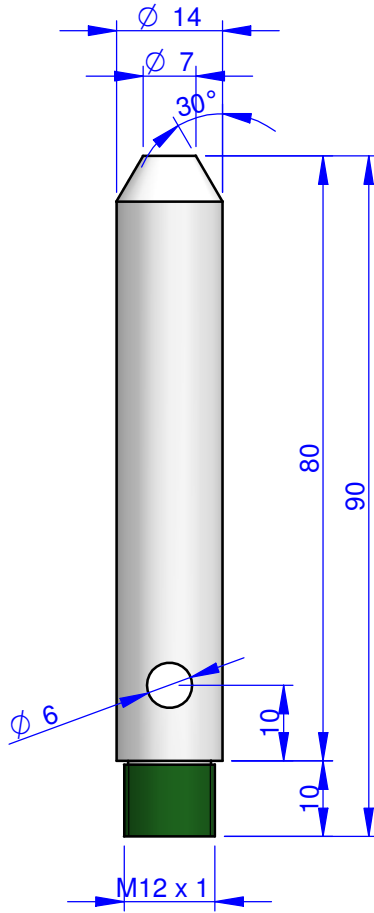


THE PROPERTY OF THIS DRAWING IS ESTABLISHED BY LAW
IT IS FORBIDDEN TO REPRODUCE IT OR SHOW IT TO THIRD PARTY
WITHOUT A WRITTEN AGREEMENT.



MODIFICATIONS: VARIED DIMENSIONS AS OF DATE:

7. 10.
8. 11.
9. 12.

MODIFICATIONS: VARIED DIMENSIONS AS OF DATE:

1. 4.
2. 5.
3. 6.

FP Services



DESIGNED FROM
FPSERVICES

DATE 03/2014 WEIGHT 0,018 kg

CODE **CA.ZTB.1480**

Format A4
UNI 936-76

GENERAL TOLERANCE:
UNI - ISO 2768
CLASSE f

DESCRIPTION

DERLIN D.15

