

THE PROPERTY OF THE DRAWING IS ESTABLISHED BY LAW  
IT IS FORBIDDEN TO PRODUCE OR SHOW IT TO THIRD PARTY  
WITHOUT A WRITTEN AGREEMENT.

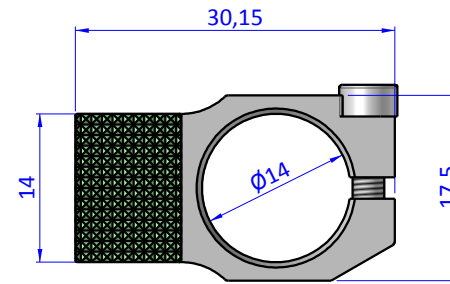
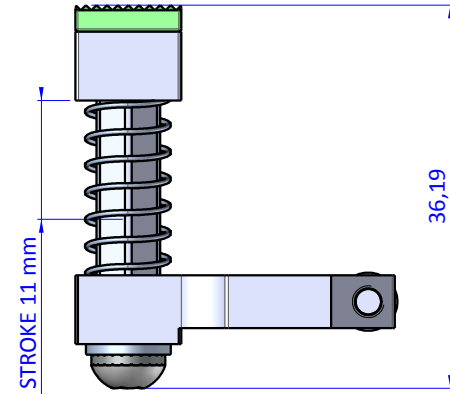
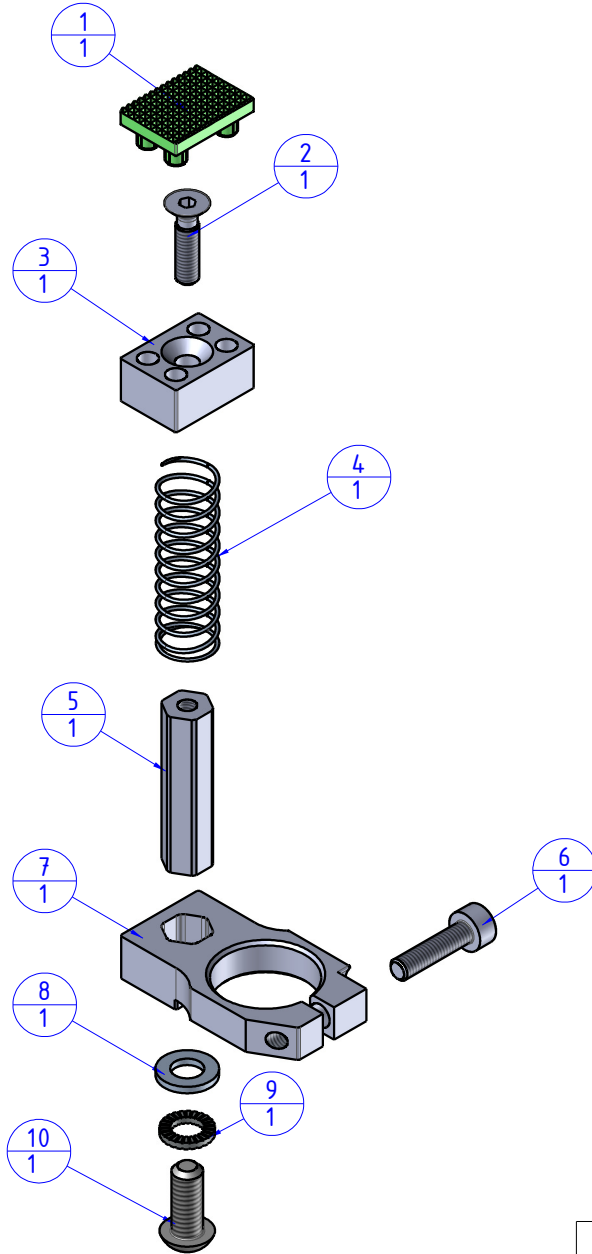
MODIFICATIONS	VARIED DIMENSIONS AS OF DATE:
7	10
8	11
9	12

MODIFICATIONS	VARIED DIMENSIONS AS OF DATE:
1	4
2	5
3	6

Format A3

UNI 936-76

Item	Name	Qty.
1	GRF14.95.08.V	1
2	V.TSP3x12	1
3	GRF14.95.13	1
4	M.8x26	1
5	GRF14.95.12	1
6	VTCE3x12	1
7	GRF14.95.11	1
8	R.4	1
9	R.4.SCH	1
10	V.TBCE4x10.BUTT	1



<b>FP SERVICES</b> AUTOMATION		DESIGNED FROM <b>FP SERVICES</b>	
GENERAL TOLERANCE UNI - ISO 2768 CLASSE f		DATE 08/11/2017	WEIGHT 0,008kg
DESCRIPTION		CODE <b>GRF14.VSX</b>	