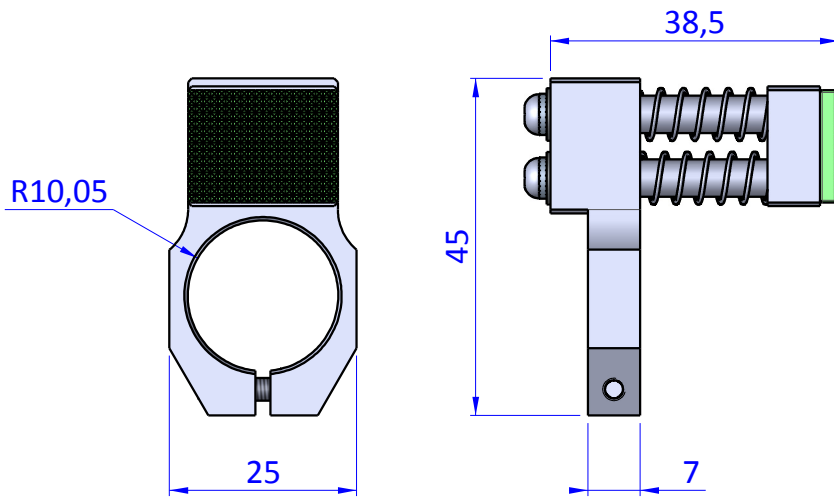
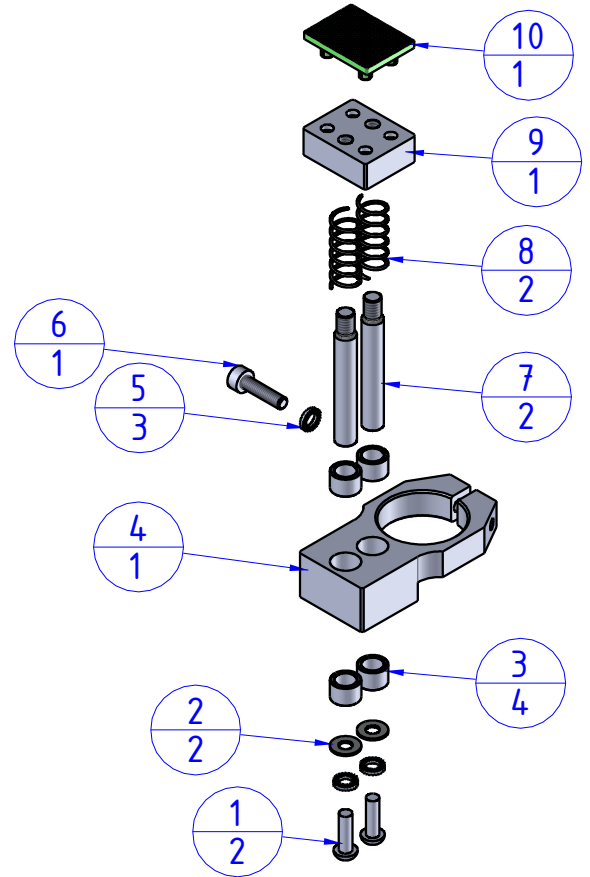


THE PROPERTY OF THE DRAWING IS ESTABLISHED BY LAW
IT IS FORBIDDEN TO PRODUCE OR SHOW IT TO THIRD PART
WITHOUT A WRITTEN AGREEMENT.

Item	Name	Q.ty
1	V.TBCE.3X10.BUTT	2
2	R.3	2
3	PAP.050705	4
4	GRF20.95.11	1
5	R.3.SCH	3
6	V.TCE3x12	1
7	GRF20.95.12	2
8	M.7X18	2
9	GRF20.95.13	1
10	GRF20.95.08.V	1



MODIFICATIONS

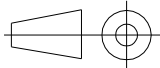
VARIED DIMENSIONS AS OF DATE:

7	10
8	11
9	12

MODIFICATIONS

VARIED DIMENSIONS AS OF DATE:

1	4
2	5
3	6



DESIGNED FROM FP SERVICES	
DATE 05/12/2017	WEIGHT 0,019kg
CODE GRF20.VSX	

Format A4
UNI 936-76

GENERAL TOLERANCE UNI - ISO 2768 CLASSE f	DESCRIPTION	REV: A / 1
---	-------------	---------------