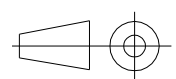
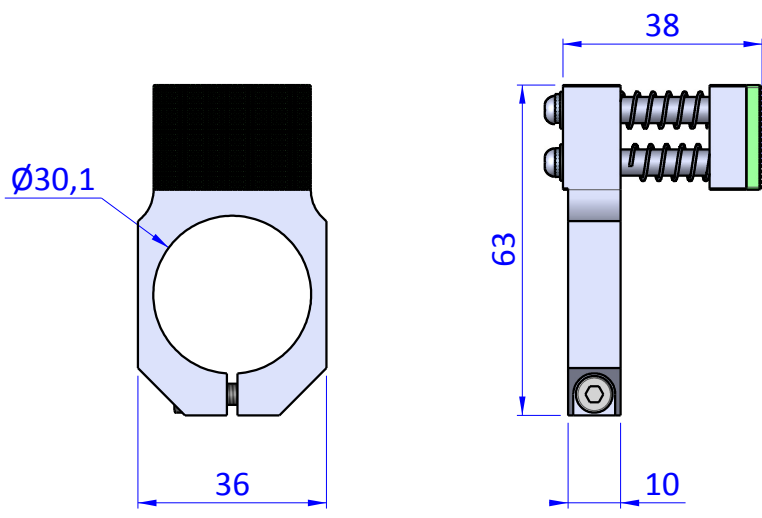
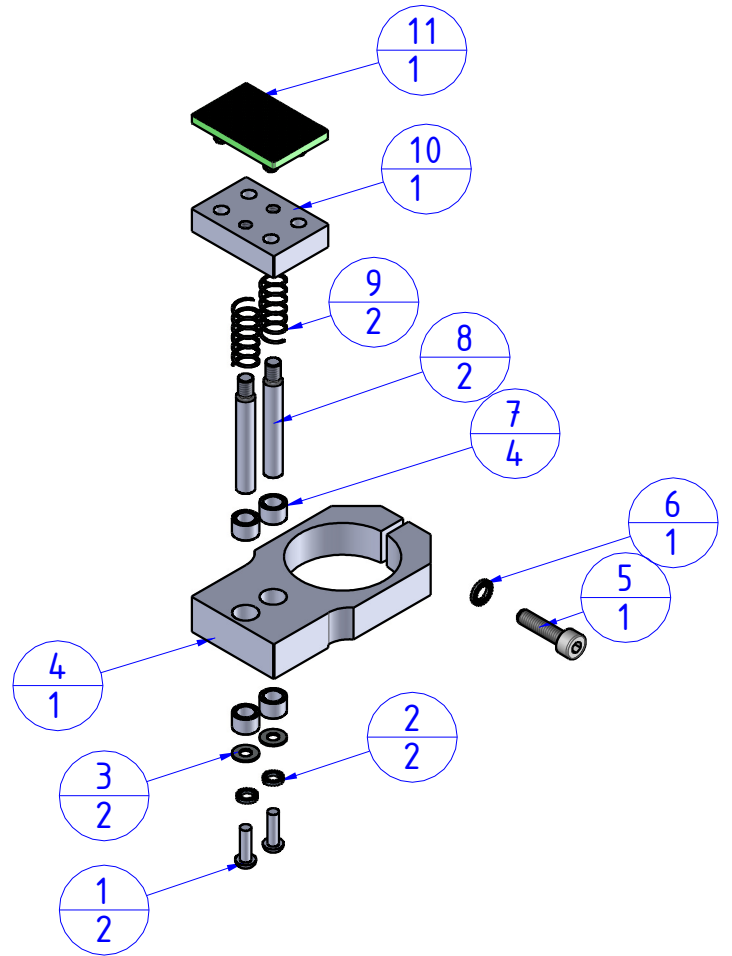


THE PROPERTY OF THE DRAWING IS ESTABLISHED BY LAW  
IT IS FORBIDDEN TO PRODUCE OR SHOW IT TO THIRD PARTY  
WITHOUT A WRITTEN AGREEMENT.

Item	Name	Q.ty
1	V.TBEI M3X10	2
2	R.3.SCH	2
3	R.3	2
4	GRF30.95.11	1
5	V.TCE4x16	1
6	R.4.SCH	1
7	PAP.050705	4
8	GRF20.95.12	2
9	M.7X18	2
10	GRF30.95.13	1
11	GRF30.95.08.V	1

MODIFICATIONS	7	8	9
VARIED DIMENSIONS AS OF DATE:	10	11	12

MODIFICATIONS	1	2	3
VARIED DIMENSIONS AS OF DATE:	4	5	6



DESIGNED FROM <b>FP SERVICES</b>	
DATE 01/12/2017	WEIGHT 0,014kg
CODE <b>GRF30.VSX</b>	

Format A4  
UNI 936-76

GENERAL TOLERANCE  
UNI - ISO 2768  
CLASSE f

DESCRIPTION

REV:  
**A / 6**