



Features:

- Compact design enables gripper to be used for a wide range of industrial applications.
- Unit takes high bending moments whilst still giving high gripping force.

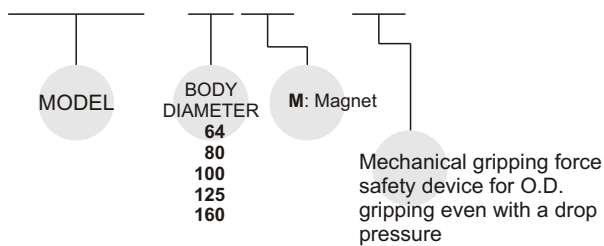
Specification:

Model	MCHQ				
Acting type	Double acting				
Body diameter(mm)	64	80	100	125	160
Stroke (mm)	12	16	20	26	32
Medium	Air 3~7 kgf/cm ²				
Ambient temperature	-5~ +60°C (No freezing)				
Lubrication	Not required				
Sensor switch	RH: Reed switch, RHN: NPN, RHP: PNP				
Weight(kg)	0.28	0.45	0.76	1.4	2.5

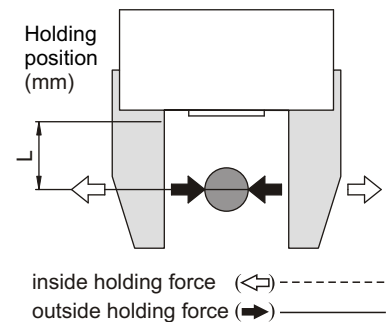
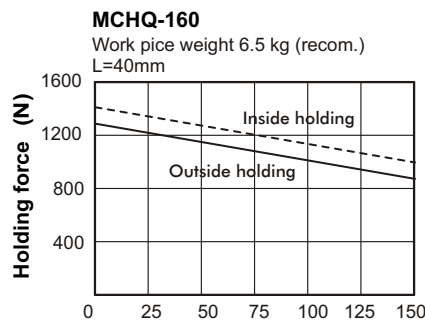
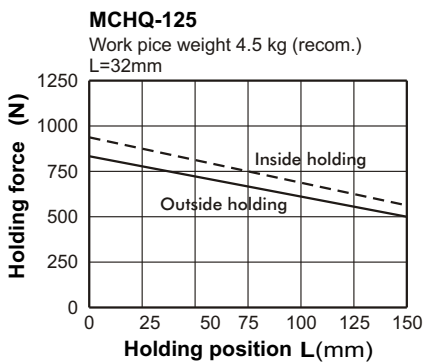
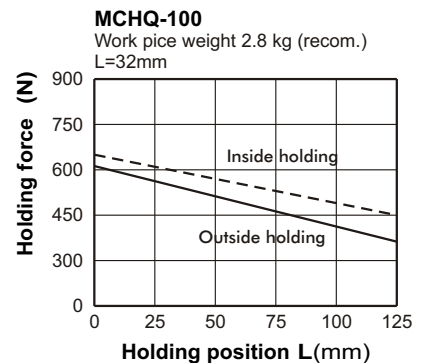
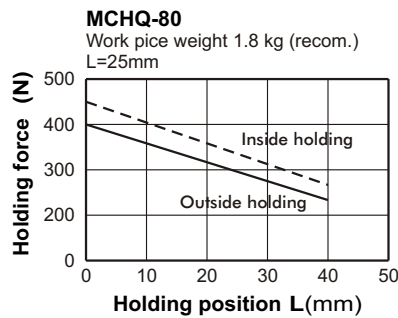
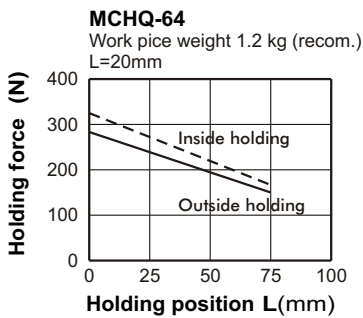
- Maintenance: Re-Lubrication after appr. 1.5 million cycles recommended.

Order example:

MCHQ - 64 M - OS



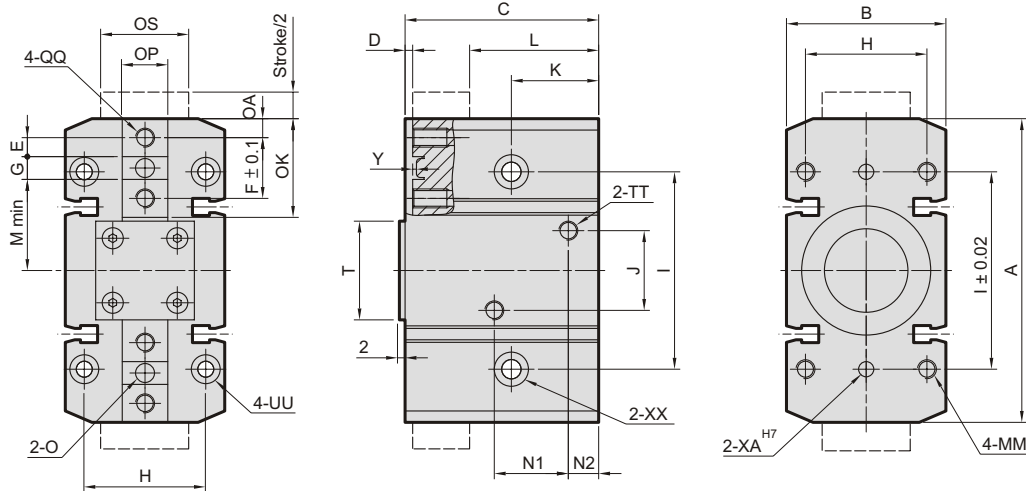
Gripping force in relation to the holding position "L" at 6kgf/cm²



- With reference to the holding force, under the condition must be considered.
- Condition: friction coefficient, great acceleration impact is expected during work pice rotate.
- It recommend: select a type of arithmetic holding force that can produce 10 to 20 times for work pice weight.

MCHQ Dimensions 64~160

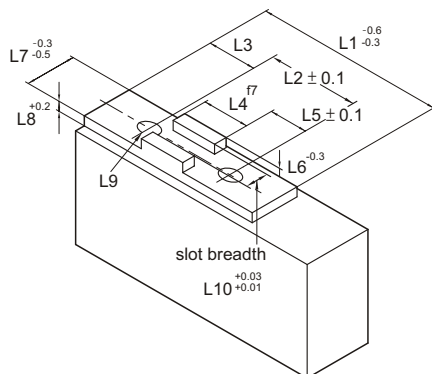
LOWER HEIGHT PARALLEL GRIPPERS



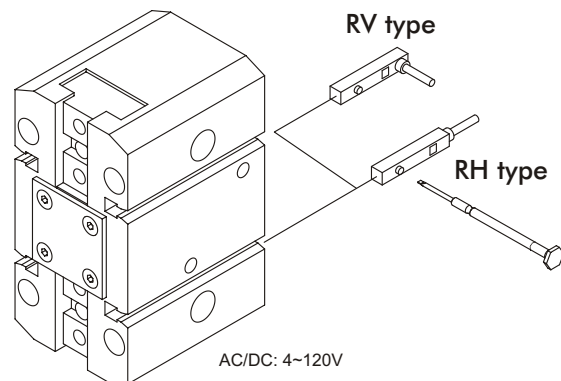
Code Model	A	B	C	D	E	F	G	H	I	J	K	L	M	MM	N1	N2	O	OA	OK	OP	OS	QQ	T	TT
MCHQ-64	64	36	42	2	4	13	5	27	42	16	22	27	19	M5×0.8	7	16.5	φ4	4	20	10	17	M4×0.7×8 dp	20	M5×0.8
MCHQ-80	80	42	51	3	5	16	6	32	52	21	23	34	24	M5×0.8	8	19.5	φ5	5	25	12	23	M5×0.8×10 dp	25	M5×0.8
MCHQ-100	100	50	59	3	6	20	8	38	66	46	20	40	30	M6×1.0	9.5	21.5	φ6	6	32	14	27	M6×1.0×10 dp	28	PT 1/8
MCHQ-125	125	60	68	5	8	24	8	45	82	55	36	44	38	M8×1.25	10.5	22	φ6	8.5	40	16	30	M6×1.0×12 dp	36	PT 1/8
MCHQ-160	160	72	82	3.5	11	32	10	56	100	58	34	55	50	M8×1.25	12	32	φ8	9	50	20	40	M8×1.25×16 dp	46	PT 1/8

Code Model	UU	XA	XX	Y
MCHQ-64	φ 4.2 thru, φ 7.5×26 dp	φ 4	φ 4.5 thru, φ 8×9 dp	2.5
MCHQ-80	φ 4.2 thru, φ 7.5×34 dp	φ 4	φ 5.1 thru, φ 9×10 dp	3
MCHQ-100	φ 5.0 thru, φ 9.1×45 dp	φ 5	φ 8 thru, φ 11×11dp	3
MCHQ-125	φ 6.8 thru, φ 11×41 dp	φ 6	φ 9 thru, φ 15×14 dp	3.5
MCHQ-160	φ 6.8 thru, φ 11×56 dp	φ 6	φ 9 thru, φ 15×15 dp	4

Finger blanks



Installation of sensor switch



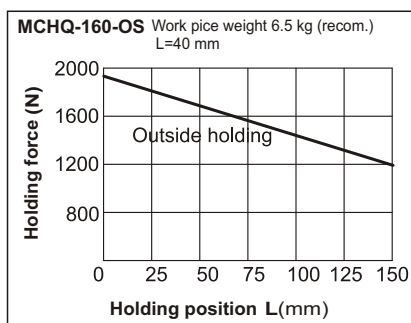
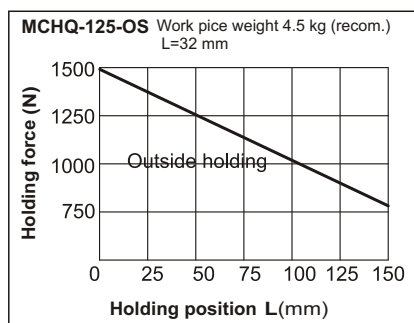
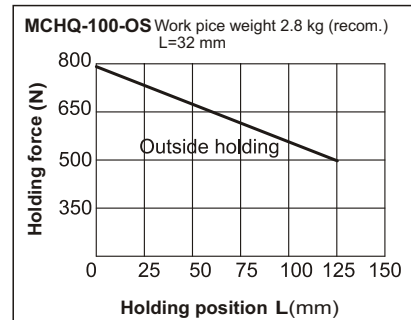
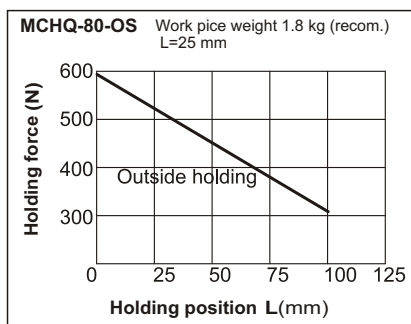
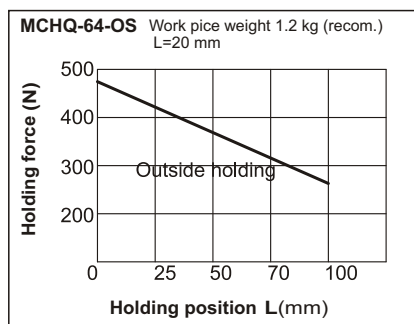
Code Model	L1	L2	L3	L4	L5	L6	L7	L8	L9	L10
MCHQ-64	20	13	4	5	4	2.5	10.2	4.5	φ 4.5	4
MCHQ-80	25	16	5	6	5	3	12.2	5.5	φ 5.5	5
MCHQ-100	32	20	6	8	6	3	14.2	5.5	φ 6.6	6
MCHQ-125	40	24	8.5	8	8	3.5	16.2	5.5	φ 6.6	6
MCHQ-160	50	32	9	10	11	4	20.2	6.5	φ 9	8

Gripping force safety device

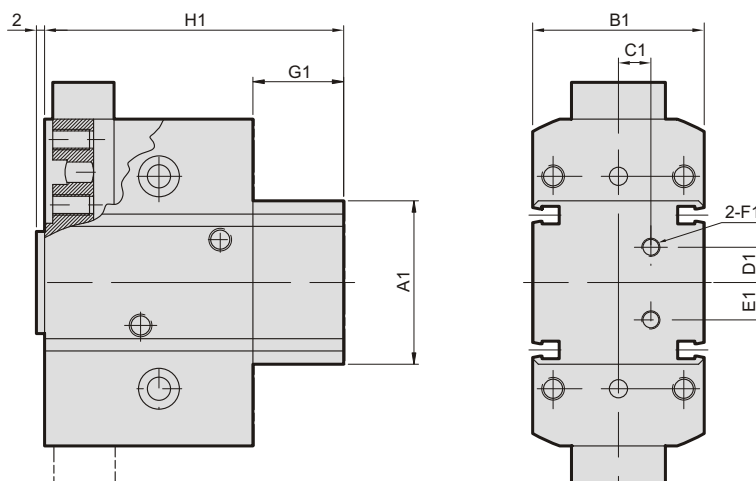
Operating pressure min.5 bars,max.6.5 bars

Gripping force = pneum. gripping force + spring force.

Gripping force in relation to the holding position "L" at 6 kgf/cm²



Gripping force safety device for O.D gripping, even with a drop in pressure.



Code Model	A1	B1	C1	D1	E1	F1	G1	H1
MCHQ-64	36	35.5	9	7	7	M5	25	67
MCHQ-80	45	41.5	2	12	14	M5	27	78
MCHQ-100	54	49.5	15.5	17	12	M5	26.5	85.5
MCHQ-125	66	59.5	10	22	22	M5	34.4	102.4
MCHQ-160	80	71.5	12.6	26.5	25	M5	39.2	121.2