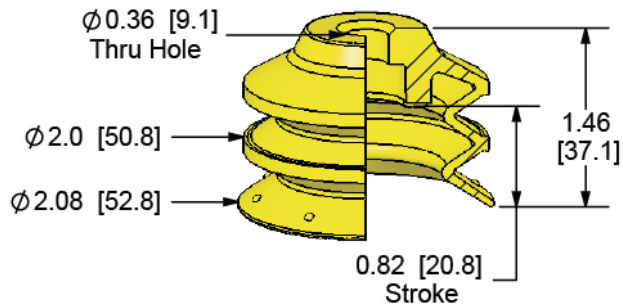


## XP-2B50



|                                      |             |
|--------------------------------------|-------------|
| <b>CUP DIAMETER</b>                  | 50 mm       |
| <b>CUP WEIGHT: oz. (g)</b>           | 0.85 (24.1) |
| <b>INTERNAL VOLUME: cu. in. (cc)</b> | 1.83 (30)   |
| <b>FORCE @ 6" Hg: lb. (N)</b>        | 8.32 (37)   |
| <b>FORCE @ 18" Hg: lb. (N)</b>       | 13.3 (59.2) |
| <b>MINIMUM RADIUS: in. (mm)</b>      | 1.26 (32)   |

**MATERIAL - AMERIFLEX**



PART NUMBER

**XP-2B50A**