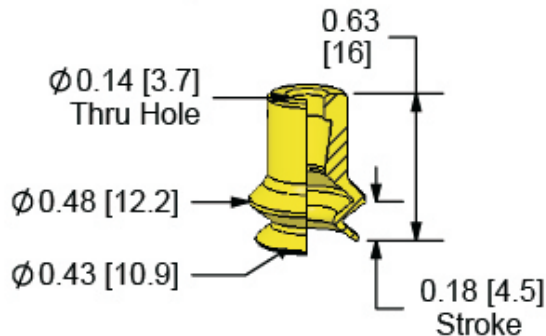


## XP-B10



<b>CUP DIAMETER</b>	10 mm
<b>CUP WEIGHT: oz. (g)</b>	0.03 (0.85)
<b>INTERNAL VOLUME: cu. in. (cc)</b>	0.03 (0.49)
<b>FORCE @ 6" Hg: lb. (N)</b>	0.3 (1.3)
<b>FORCE @ 18" Hg: lb. (N)</b>	0.8 (3.6)
<b>MINIMUM RADIUS: in. (mm)</b>	0.16 (4.1)
<b>SHEAR LOAD<sup>2</sup>: lb. (N)</b>	0.4 (1.7)

**MATERIAL - SILICONE**



PART NUMBER

**XP-B10S**