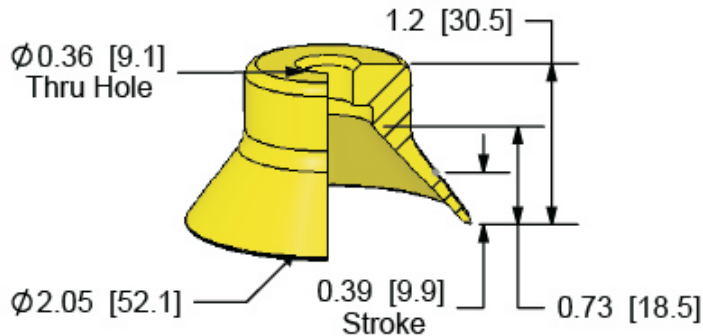


XP-D50



CUP DIAMETER	50 mm
CUP WEIGHT: oz. (g)	0.54 (15.3)
INTERNAL VOLUME: cu. in. (cc)	1.4 (23)
FORCE @ 6" Hg: lb. (N)	8.1 (36)
FORCE @ 18" Hg: lb. (N)	17 (75.6)
MINIMUM RADIUS: in. (mm)	0.98 (24.9)

MATERIAL - NITRILE



PART NUMBER

XP-D50N