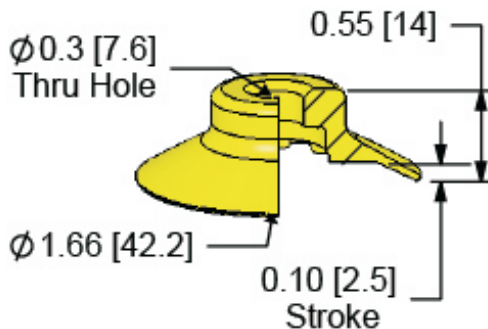


## XP-F40



<b>CUP DIAMETER</b>	40 mm
<b>CUP WEIGHT: oz. (g)</b>	0.18 (5.1)
<b>INTERNAL VOLUME: cu. in. (cc)</b>	0.29 (4.8)
<b>FORCE @ 6" Hg: lb. (N)</b>	4.5 (20)
<b>FORCE @ 18" Hg: lb. (N)</b>	9.0 (40)
<b>MINIMUM RADIUS: in. (mm)</b>	2.05 (52.1)
<b>SHEAR LOAD<sup>2</sup>: lb. (N)</b>	4.5 (20)

**MATERIAL - NITRILE**



PART NUMBER

**XP-F40N**